

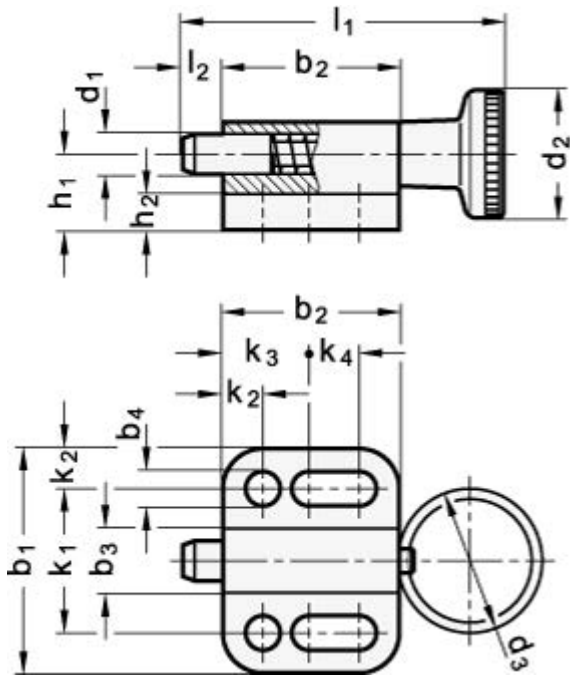
# Data Sheet



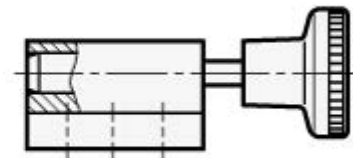
Article number: 204175B

Description: E+G Indexing plunger GN 417-5-B

## Measures



Plunger pin retracted



b1 = 28	k1	= 18	Weight in (g) = 22
b2 = 22	k2	= 5	
b3 = 8	k3	= 10	
b4 = 4.3	k4	= 7	
d1 = 5	l1	= 40	
d2 = 16	l2	= 5	
h1 = 9.5	springload in N bottom	= 24	
h2 = 4.5	Springload in N top	= 5	